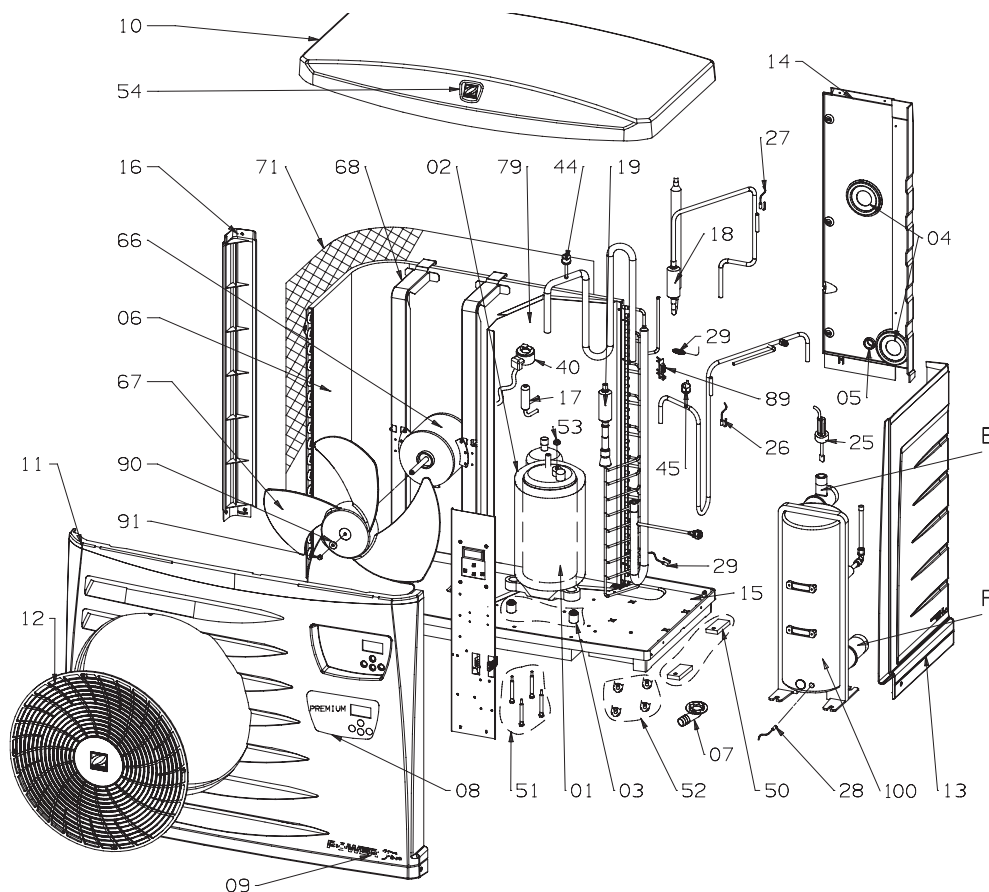


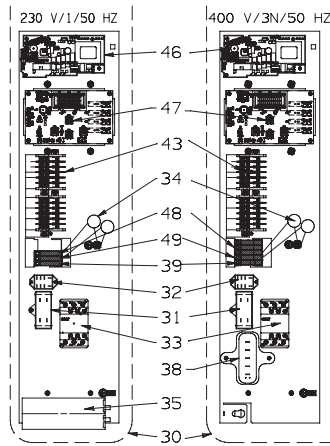
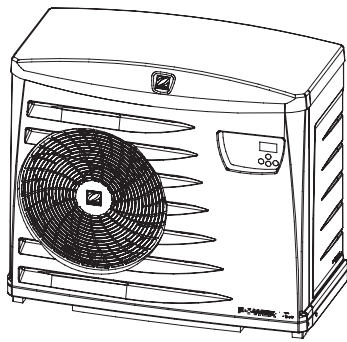


Z300, PM30 and POWER FIRST Premium



08101039-00

Position	Description	Reference Z300	Reference PM30	Reference PF Premium
Sheet metal				
10	Cover	A0260500A	WPV01001	
11	Front panel	A0260400A	WPV01003	
12	Grille	A0260900A	WPV01006	
13	Technical door	A0260700A	WPV01007	
14	Rear panel	A0260800A	WPV01004	
15	Base		WPV01002	
16	Upright	A0260600A	WPV01005	
Others				
2	Compressor insulation PFPREM 6, 8, PM3041 and Z300 M4		WTC03925	
	Compressor insulation PFPREM 11, 13		WTC03926	
7	Condensate drainage tube		WTC02971	
8	PREMIUM Lexan	H0445800A	H0512300A	WTC03942
67	4-vane propeller		WTC03784	
68	Fan motor bracket		WTC03895	
	Condenser connection brackets		R06415	
71	Protective grille 1045 x 765		WTC03896	
E	Condenser outlet connector with tapping+gasket (before 2016)		R0611001	
	Condenser outlet connector 3 fixations with tapping+gasket		A0358000A	
F	Condenser inlet connector with tapping+gasket (before 2016)		R0611301	
	Condenser inlet connector 3 fixations with tapping+gasket		A0357800A	
	Set of 2 half union connections		W20RDU	
Accessories				
	Condensate tray + elbow		R07242	
	Remote control module		WTC04004	
	Local facility kit		W20KITPFPREMLT	
	Winter cover		R07095	
	Cleaning Kit PAC net		WMA03491	



Position	Description	Reference Z300	Reference PM30	Reference PF Premium
Electrical spare parts				
25	PFPREM flow rate switch		WTC03943	
26	Compressor ST5 discharge probe		R06740	
27	ST4 liquid probe		R06740	
28	ST1 regulation probe		R06740	
29	ST2/ST3 antifrost and defrost probes		R06740	
30	Set Electrical PFPREM 6		WTC03929	
	Set Electrical PFPREM 8, PM3041 and Z300 M4		WTC03930	
	Set Electrical PFPREM 11M, PM3051 and Z300 M5		WTC03931	
	Set Electrical PFPREM 11T, PM3053 and Z300 T5		WTC03932	
31	Set Electrical PFPREM 13M, PM3061 and Z300 M7		WTC03992	
	Condenser 5 μ F for PFPREM		WTC03936	
33	Switch 25 A, 230 V, 50/60 Hz, PFPREM 11M, 13M		WTC04001	
	Switch 18 A, PFPREM 6, 8, 11T, 11TD, 15TD		WTC03937	
34	Varistore (S20K275)		WTC03988	
35	Capacitor alu 45 μ F PFPREM 6		B0181600A	
	Capacitor alu 50 μ F PFPREM 8, PM3041 and Z300 M4		B0181100A	
	Capacitor alu 55 μ F PFPREM 11, PM3051/53 and Z300 M5/T5		B0181700A	
	Capacitor alu 60 μ F PFPREM 13M, PM3061 and Z300 M7		B0181800A	
38	Phase controller (PFPREM, PM30 and Z300 TRI)		WTC03940	
40	Coil SAG UKV A053		WTC03941	
46	Main card A1 + expansion valve card A4 set		R07151	
	Main card A1		WTC03944	
	Expansion valve card A4		R06931	
47	Display card PFPREM A2		WTC03939	
66	Fan Motor		WTC03783	
Refrigerating spare parts				
1	Compressor PFPREM 6		WTC03920	
	Compressor PFPREM 8, PM3041 and Z300 M4		WTC03921	
	Compressor PFPREM 11MD and 11M		WTC03922	
	Compressor PFPREM 11TD and 11T		WTC03923	
	Compressor PFPREM 13M, PM3061 et Z300 M7		WTC03987	
6	Compressor suction tube PFPREM 11/13, PM3051/53/61 and Z300 M5/T5/M7		WDE01080	
	Evaporator PFPREM 6, 8, PM3041 and Z300 M4		WTC03985	
17	Evaporator PFPREM 11/13, PM3051/53/61 and Z300 M5/T5/M7		WTC03986	
	Pressure reducer UKV for PFPREM 6 and 8, PM3041 and Z300 M4		WTC03927	
	Pressure reducer UKV for PFPREM 11, PM3051/53 and Z300 M5/T5		WTC03928	
44	Pressure reducer UKV 30D33 for PFPREM 13M, PM3061 et Z300 M7		WTC03994	
45	Pressure switch, low pressure		WTC03815	
100	Pressure switch, high pressure		WTC03816	
	Condenser PFPREM 6		R06960	
	Condenser PFPREM 8, PM3041 and Z300 M4		R06961	
	Condenser PFPREM 11, PM3051/53 and Z300 M5/T5		R06963	
	Condenser PFPREM 13M, PM3061 and Z300 M7		R06954	