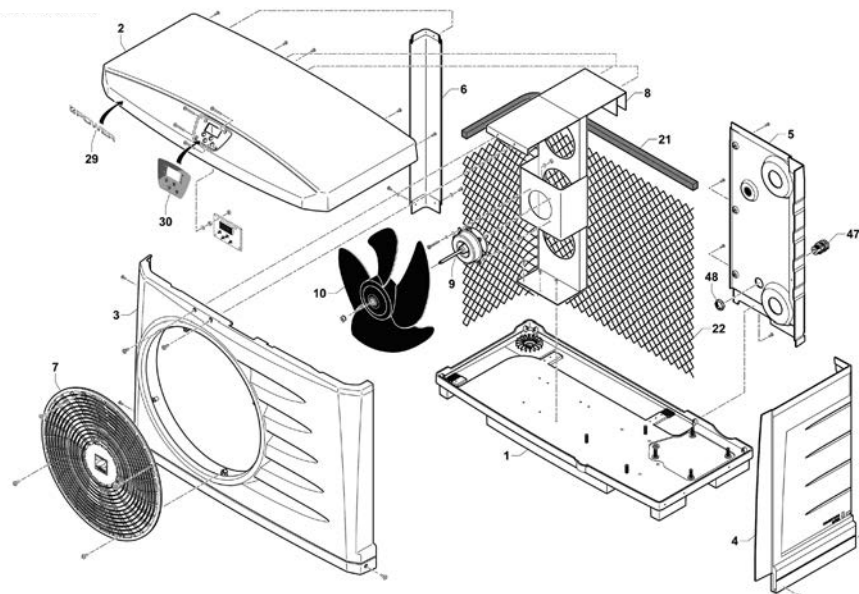


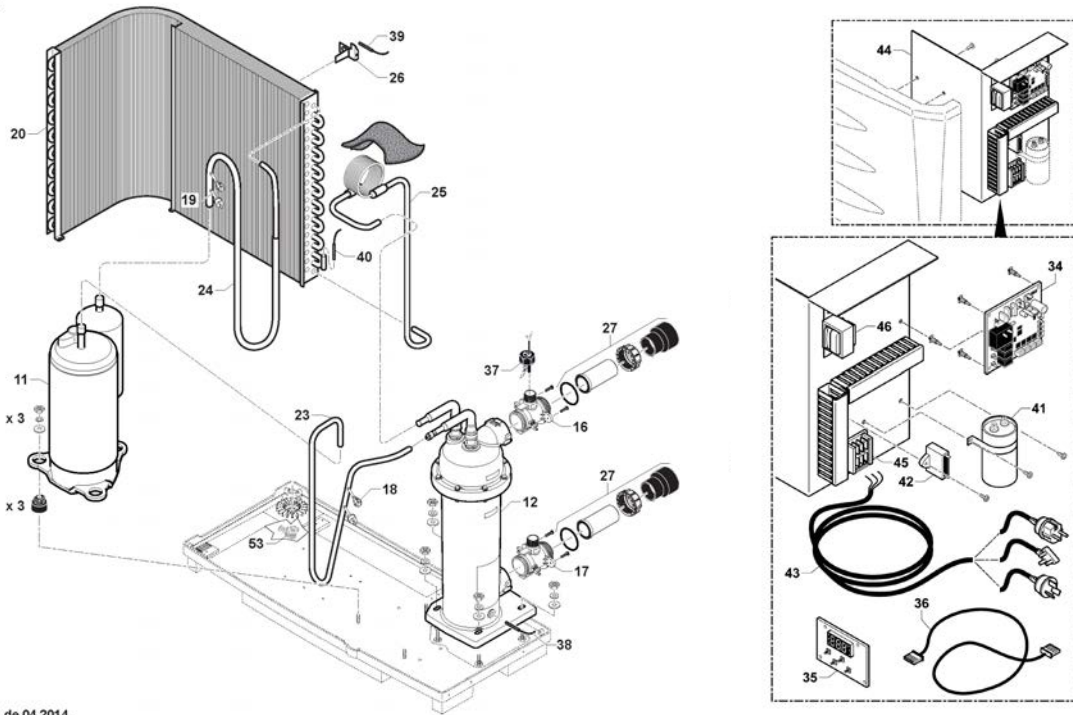


Z200 and Zodiac Power



Position	Description	Reference Z200	Reference Power
Electrical spare parts			
34	PCB Board non Easy Connect version	B0048900A	WWA01041
	PCB Board, Easy Connect version		WWA01069
35	User Interface and lexan non Easy Connect version	B0048900A	WWA01042
	User Interface and lexan, Easy Connect version		WWA01070
36	Link cable (PCB - User interface)		WWA01043
38	Water Temperature sensor		WWA01045
39	Air Temperature sensor		WWA01046
40	Defrost Temperature sensor		WWA01047
37	Water flow switch		V0088000A
9	Motor fan 5, 7 et 9 KW		WWA01009
	Motor fan 11 KW		WWA01066
41	Compressor capacitor Mitsubishi 5 KW 30 μ F		WWA01048
	Compressor capacitor Toshiba 5 KW 35 μ F		B0049500A
	Compressor capacitor Mitsubishi 7 KW 40 μ F		WWA01049
	Compressor capacitor Toshiba 7 KW 45 μ F		B0049700A
	Compressor capacitor Toshiba 9 KW 50 μ F		WWA01050
	Compressor capacitor Panasonic 9 KW 60 μ F		B0049900A
42	Fan capacitor 5, 7 et 9 KW 2 μ F		WWA01051
	Fan capacitor 11 KW 4 μ F		WWA01071
44	Electrical plate complete (without compressor condensor)		WWA01052
	Electrical plate complete new condenser (since 2014)		B0048800A
43	Electric cable (French version)		WWA01055
51	Heating priority relay		B0049400A
52	Y board for remote control		B0049100A
46	230/10,5V transformer		R06707
	Electric terminal strip + protection		WWA01097
	Easy connect wires kit		R06916
Refrigerating spare parts			
11	Compressor Mitsubishi 5 KW		WWA01011
	Compressor Toshiba 5 KW		V0088800A
	Compressor Mitsubishi 7 KW		WWA01012
	Compressor Toshiba 7 KW		V0089200A
	Compressor Toshiba 9 KW		WWA01013
	Compressor Panasonic 9 KW**		V0089700A
	Compressor Toshiba 11 KW		WWA01067
20	Evaporator 5 KW (with distributor & collector)		WWA01023
	Evaporator 7 KW (with distributor & collector)		WWA01024
	Evaporator 9 and 11 KW (with distributor & collector)		WWA01025

Z 200



Ed. 01 de 04 2014

Position	Description	Reference Z200	Reference Power
Refrigerating spare parts			
12	Condenser 5 KW (before 2014)	WWA01072	
	Condenser 5 KW	V0089800A	
	Condenser 7 KW	V0089900A	
	Condenser 9 KW (before 2014)	WWA01074	
	Condenser 9 KW	V0090000A	
	Condenser 11 KW (before 2014)	WWA01075	
	Condenser 11 KW	V0090100A	
18	Pressure switch HP	WWA01021	
19	Pressure switch LP	WWA01022	
Others			
	Compressor acoustic cover Toshiba 9 et 11kW	WWA01080	
	Compressor acoustic cover Toshiba 5 KW	T0041700A	
	Compressor acoustic cover Toshiba 7 KW	T0041800A	
	Compressor acoustic cover Panasonic 9 KW	T0041600A	
30	Lexan	H0442000A	
27	Water connection	WWA01083	
16	Condenser outlet water connection with pipe	WWA01019	
	Condenser outlet water connection with pipe (since 2014)	A0260300A	
17	Condenser inlet water connection	WWA01020	
	Condenser inlet water connection (since 2014)	A0260200A	
26	Temperature sensor bracket	WWA01037	
10	Fan	WWA01010	
29	Name sticker	H0442100A	WWA01039
53	Condensate water device	A0260100A	
Sheet metal			
1	Base	WWA01001	
2	Cover	A0259500A	WWA01002
3	Front panel	A0259600A	WWA01003
4	Technical Door	A0259700A	WWA01004
5	Rear panel	A0259800A	WWA01005
6	Angle	A0259900A	WWA01006
7	Grid	A0260000A	WWA01087
8	Fan Support	WWA01008	
22	Evaporator protection	WWA01027	
	Winter cap	WPC02908	
Accessories			
	Winter cover	R07094	
	Cleaning Kit PAC	WWA03491	
	Z200 Reomte control	WH000200	