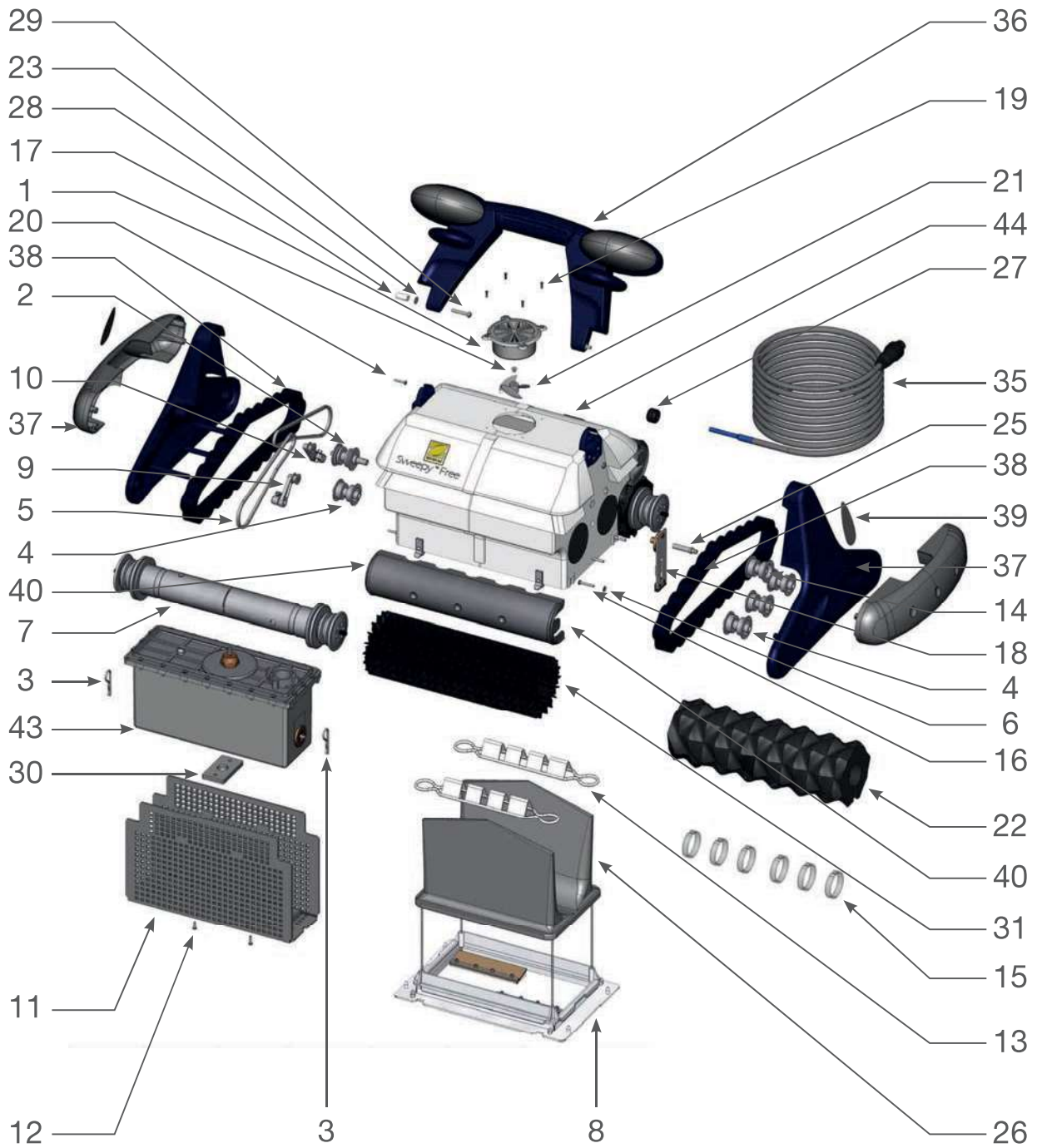




Sweepy® Free



Position	Description	Reference
1	Handle Cap Diam 6mm	W0002A
2	Motor Shaft Pulley	W0010A
3	Beta Pin	W0011A
4	Long Track Guide Pulley	W0013A
5	Transmission Belt	W0014A
6	Washer M4 A2	W0017A
7	Brush Holder	W0018A
8	Complete 1E Filter Holder White	W0027D
9	S Shaped Belt Tensioner	W0037A
10	C Shaped Belt Tensioner	W0038A
11	Motor Casing Protection Grid	W0044A
12	Screw VT TCL Pozi 3.5X13 A2	W0090A
13	Filter Bag Blocking Peg	W0095A
14	Short Track Guide Pulley	W0121A
15	Foam Fixing Clip	W0139A
16	Screw VT TCL Pozi 3.9X25 A2	W0164A
17	Flow Outlet White	W0233A
18	Turn Foot Set	W0344B
19	Screw VT TFC Pozi 2.9X9.5 A2	W0351A
20	Screw VT TCL Pozi 3.5X19 A2	W0375A
21	Swr White Propeller Dia 64	W0435A
22	Black Foam Brush PPI 60	W0887A
23	Washer M5 A2	W1096A
25	Axle Pulley Track	W1125A
26	AF2 Filter Bag With Eyeholes	W1187B
27	DM8 Cable Tightener Black	W1215A
28	Handle Spacer	W1216A
29	Screw VM TCL Pozi 5X30 A4	W1412A
30	Stainless Steel Weight	W1521A
31	Rubber Brush Black	W1586A
32	Sweepy Free Command Box	W1560A
33	3M Remote Control	W1618A
34	Complete Sweepy Free Trolley	W1633A
35	Floating Cable 16M-8-4Pt PCG 8	W1636B
36	Complete C Handle Dark Blue	W1638A
37	Track Flange Blue	W1640A
38	Dark Blue Track	W0015B
40	Front Bumper Grey	W1340A
41	Side Bumper Grey	W1341A
43	3M Complete Motor Block	W1757A
44	Complete Shell	W1758A
	Fine debris filter bag	W1187B
	Large debris filter bag	W1579A
	2 foam brushes + 14 clips	W0887A
	6 foam clips	W0889A
	2 blade brushes - black	W1586A