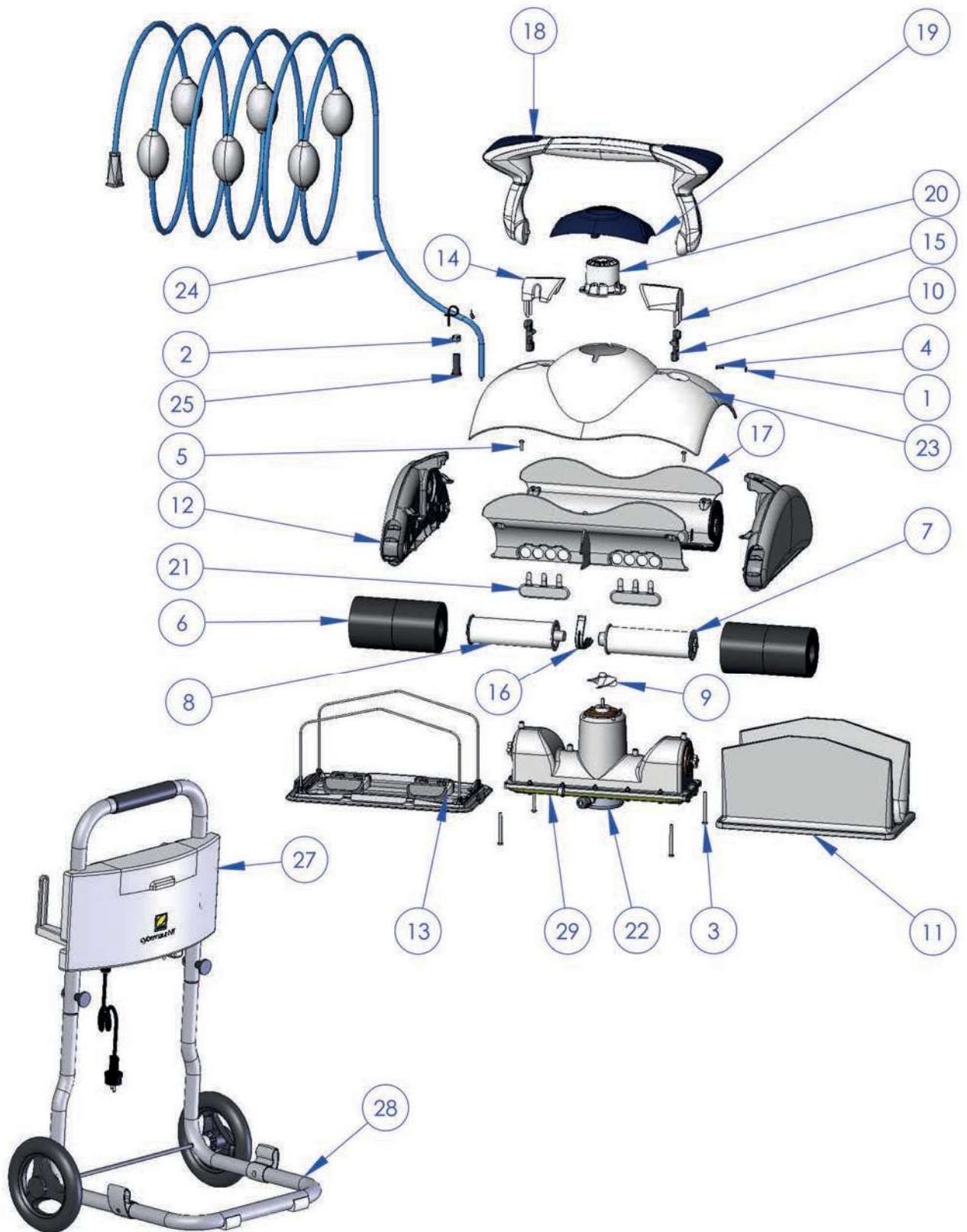




Cybernaut™ NT 17M / 25M



Position	Description	Cybernaut NT 17M	Cybernaut NT 25M
1	M4 A2 Washer		W0017A
2	Belt Tight. Collar And Screw		W0093A
3	VP Pozi 5X60 A2 Screws		W1024B
4	Screw 4*12 mm (set of 5)		R0516700
5	VP TCL Pozi 5X16 A2 Screws		W1026A
6	Foam pad (set of 8)		W1596A
7	Large Ø SW2 Foam Brush Holder		W1047A
8	Small Ø SW2 Foam Brush Holder		W1053A
9	SW2 Propeller		W1067A
10	SW2 Handle Joint		W1084A
11	Complete OF2 Filter Bag		W1583A
12	Grey SW2 Gear Cartridge		W1421A
13	Complete Grey SW2 Filter Holder		W1422B
14	White Right Handle Clip		W1435A
15	White Left Handle Clip		W1436A
16	Grey SW2 Roller Clip		W1437A
17	Grey SW2 Cross Part		W1438A
18	Complete White Handle		W1439A
19	Blue Flow Guide Deco		W1441A
20	White Flow Guide		W1442A
21	Grey SW2 Outlet Valve		W1443A
22	Round Relay Box Kit		W1507A
23	White Cnt Cover		W1518B
24	Grey Flo Cable SW2 17M	W1426A	
24	Grey Flo Cable SW2 25M		W1570A
25	Cnt Cable Holder		W1587A
27	2010 Cnt Cont. Box		W1793A
28	Complete Cybernaut Nt B Caddy		W1505D
29	Complete SW2 Nbr Motor Block		W1508C
	Fine debris filter bag (Standard)		W1583A
	Large debris filter bag		W1584A
	Foam brushes		W1596A
	PVA brushes		W1582A
	Protective cover		W1064P