



CS - Cartridge filter

Filtration > Lighting > CS

- + Ultra fine filtering
- + Easy maintenance and water savings
- + Adapted to any pool pad

NEW FOR 2017



ALL TYPES OF SWIMMING POOLS



FINE FILTERING



ECO FRIENDLY



3 YEAR WARRANTY

5 YEAR WARRANTY ON TANK

Product offered for sale on the «pool dealer» channel

	CS 100	CS 150
PRODUCT REFERENCE		
Standard model	WF000024	WF000025

ACCESSORIES INCLUDED IN THE PACK				
				
15-20 µm filtering cartridge	63/50mm union tailpieces	63/50mm tailpiece (drain)	Pressure gauge	Air relief

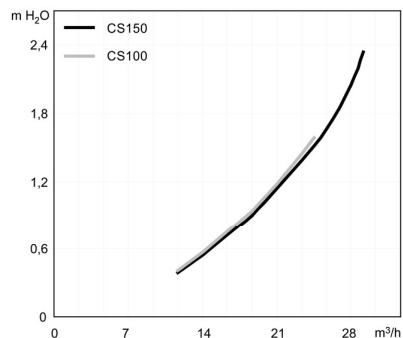
DESCRIPTION	
Tank material	Fiber glass reinforced polypropylene
Pressure gauge position	Onto the top cover
Connections	63/50mm union tailpieces
Drain	63mm, 63/50mm plumbing kit provided

TECHNICAL CHARACTERISTICS		
Filtration capacity m ³ (8 h/day)	130	170
Max flow rate (m ³ /h)	22,7	34,1
Filtration area (m ²)	9,3	14,0
Cartridge layers number	143	215
Filtration speed (m ³ /h/m ²)	2,4	2,1
Working pressure (bar or kg/cm ²)	0,2 - 0,8 (variable speed pump); 0,4 - 1,2 (single speed pump)	
Maximum pressure (bar or kg/cm ²)	3,5	



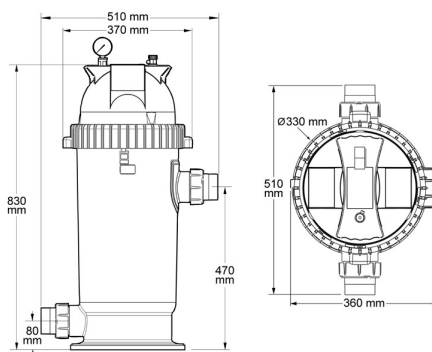
HEAD LOSS CURVES

- CS filter head losses expressed in meters of water: 1 m H₂O = 0.1 bar



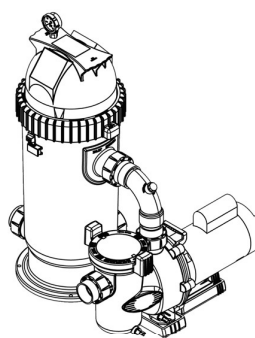
WEIGHT AND DIMENSIONS

	CS 100	CS 150
Footprint (filter foot diameter)	33 cm	
Overall height (with pressure gauge)	92 cm	
Needed clearance (to replace cartridge)	43 cm above filter	
Weight (filter + cartridge)	11 kg (+/- 500 g depending on model)	



INSTALLATION WITH VERSA PLUMB® KIT

- Optional Versa Plumb® kit allows a quick, compact and efficient connection between CS filter and any Zodiac FloPro(tm) pump.
- The Versa Plumb® sweep elbow is equipped with a 1/2" thread to install an earthing anode for example (see earthing anode kit in Water Treatment pages - part R0673800).



Spare parts page 288

OPTIONAL ACCESSORIE	ASSOCIATED PRODUCTS	
		
Versa Plumb® kit WF000026	CS 100 cartridge R0462201	CS 150 cartridge R0462301
49,99€ ex VAT	104,01€ ex VAT	149,28€ ex VAT